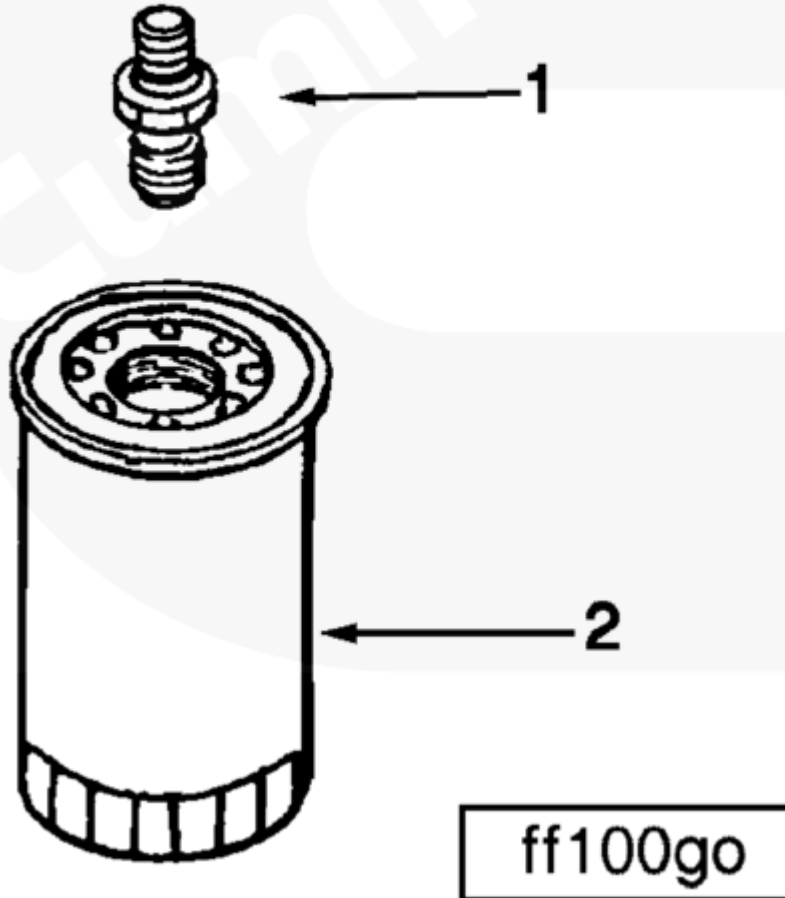




Parts Catalog - Option Detail

Electronic Parts Catalog - Option Detail				
Option	Group	Graphic	Film Card	Date
FF1069	06.04	ff100go	F	15-APR-95
Engines	NH/NT 855, NT495, NT743, NTA855 N106			

©Cummins Inc



[SMALL](#) | [MEDIUM](#) | [LARGE](#)

Cart	Ref No	Part Number	Part Description	Required	Remarks
<input type="button" value="View My Cart"/>					
		FF1069	Fuel Filter		

					Fuel Filter
					Single spin-on water
					seperator fuel filter with
					straight inlet fitting
					mounted on rear of fuel pump.
<input type="checkbox"/>	1	129866	Male Union	1	
<input type="checkbox"/>	2	3315843	Fuel Water Separator		Purchase from C. Filtration

© 2019 Cummins Inc., Box 3005, Columbus, IN 47202-3005 U.S.A.
 Terms of Use and Disclaimers | Recommended System Requirements
 Need Assistance? Please click on the Contact Us button in the top right corner of any page.